

MODEL			HPAW-18 3N	HPAW-22 3N	HPAW-26 3N	HPAW-30 3N
Voltage/Phase/Frequency		V/Ph/Hz	380-415/3/50			
Heating ¹	Capacity	kW	18,00	22,00	26,00	30,10
	Rated input	kW	3,83	5,00	6,37	7,70
	COP		4,70	4,40	4,08	3,91
Heating ²	Capacity	kW	18,00	22,00	26,00	30,00
	Rated input	kW	5,17	6,47	8,39	10,35
	COP		3,50	3,40	3,10	2,90
Heating ³	Capacity	kW	18,00	22,00	26,00	30,00
	Rated input	kW	6,55	8,30	10,61	13,04
	COP		2,75	2,65	2,45	2,30
Cooling ⁴	Capacity	kW	18,50	23,00	27,00	31,00
	Rated input	kW	3,90	5,00	6,28	7,75
	EER		4,75	4,60	4,30	4,00
Cooling ⁵	Capacity	kW	17,00	21,00	26,00	29,50
	Rated input	kW	5,57	7,12	9,63	11,57
	EER		3,05	2,95	2,70	2,55
Seasonal space heating energy efficiency class ⁶	Leaving water temperature 35°C	class	A+++			A++
	Leaving water temperature 55°C	class	A++		A+	
Refrigerant	Type (GWP)		R32(675)			
	Charged weight	kg	5,00			
Sound power level ⁷		dB	71	73	75	77
Unit dimensions (W×H×D)		mm	1129x1558x440			
Packing dimensions (W×H×D)		mm	1220x1735x565			
Net/gross weight		kg	177/206			
Outdoor air temperature range	Cooling	°C	-5 – +46			
	Heating	°C	-25 – +35			
	DHW	°C	-25 – +43			
Water side heat exchanger			Plate type			
Pump	Delivery head	m	12,00			
Water side connection		mm	R5/4"			
Backup E-heater	Standard mounting	kW	Optional backup heating available on order			
	Power supply	V/Ph/Hz	380-415/3/50			
Leaving water temperature range	Cooling	°C	+5 – +25			
	Heating	°C	+25 – +60			
	DHW (tank)	°C	+25 – +60			

¹ Outside air 7°C, 85% R.H., heating water in/out 30/35°C

² Outside air 7°C, 85% R.H., heating water in/out 40/45°C

³ Outside air 7°C, 85% R.H., heating water in/out 47/55°C

⁴ Outside air 35°C, Cooling water in/out 23/18°C

⁵ Outside air 35°C, Cooling water in/out 12/7°C

⁶ The tests for the seasonal space heating efficiency class were performed under average climatic conditions (see 811/2013/EU) and in compliance with the specifications of the relevant standards.

⁷ Testing standard: EN12102-1.

⁸ Relevant EU standards and legislation: EN14511; EN14825; EN50564; EN12102;

(EU) No 811/2013; (EU) No 813/2013; OJ 2014/C 207/02:2014.



MODEL			HPAW-4	HPAW-6 NE	HPAW-8 NE	HPAW-10	HPAW-12 3N	HPAW-14 3N	HPAW-16 3N
Voltage/Phase/Frequency		V/Ph/Hz	230/1/50						
Heating ¹	Capacity	kW	4,20	6,35	8,40	10,00	12,10	14,50	15,90
	Rated input	kW	0,82	1,28	1,63	2,02	2,44	3,15	3,53
	COP		5,10	4,95	5,15	4,95		4,60	4,50
Heating ²	Capacity	kW	4,30	6,30	8,10	10,00	12,30	14,10	16,00
	Rated input	kW	1,13	1,70	2,10	2,67	3,32	3,92	4,57
	COP		3,80	3,70	3,85	3,75	3,70	3,60	3,50
Heating ³	Capacity	kW	4,40	6,00	7,50	9,50	11,90	13,80	16,00
	Rated input	kW	1,49	2,03	2,36	3,06	3,90	4,68	5,61
	COP		2,95		3,18	3,10	3,05	2,95	2,85
Cooling ⁴	Capacity	kW	4,50	6,50	8,30	9,90	12,00	13,50	14,90
	Rated input	kW	0,82	1,35	1,64	2,18	3,04	3,75	4,38
	EER		5,50	4,80	5,05	4,55	3,95	3,60	3,40
Cooling ⁵	Capacity	kW	4,70	7,00	7,45	8,20	11,50	12,40	14,00
	Rated input	kW	1,36	2,33	2,22	2,52	4,18	4,96	5,60
	EER		3,45	3,00	3,35	3,25	2,75	2,50	2,50
Seasonal space heating energy efficiency class ⁶	Leaving water temperature 35°C	class	A+++						
	Leaving water temperature 55°C	class	A++						
Refrigerant	Type (GWP)		R32(675)						
	Charged weight	kg	1,40				1,75		
Sound power level ⁷		dB	55	58	59	60	65	65	68
Unit dimensions (W×H×D)		mm	1295x718x429			1385x865x526			
Packing dimensions (W×H×D)		mm	1375x885x475			1465x1035x560			
Net/gross weight		kg	98/121		121/148		160/188		
Outdoor air temperature range	Cooling	°C	-5 – +43						
	Heating	°C	-25 – +35						
	DHW	°C	-25 – +43						
Water side heat exchanger			Plate type						
Pump	Delivery head	m	9,00						
Water side connection		mm	R1"			R5/4"			
Backup E-heater	Standard mounting	kW	3,00	WITHOUT BACKUP HEATING		3,00	9,00		
	Power supply	V/Ph/Hz	220-240/1/50	Can be ordered (Type: BH30B)		220-240/1/50	380-415/3/50		
Leaving water temperature range	Cooling	°C	+5 – +25						
	Heating	°C	+25 – +65						
	DHW (tank)	°C	+30 – +60						

¹ Outside air 7°C, 85% R.H., heating water in/out 30/35°C

² Outside air 7°C, 85% R.H., heating water in/out 40/45°C

³ Outside air 7°C, 85% R.H., heating water in/out 47/55°C

⁴ Outside air 35°C, Cooling water in/out 23/18°C

⁵ Outside air 35°C, Cooling water in/out 12/7°C

⁶ The tests for the seasonal space heating efficiency class were performed under average climatic conditions (see 811/2013/EU) and in compliance with the specifications of the relevant standards.

⁷ Testing standard: EN12102-1.

⁸ Relevant EU standards and legislation: EN14511; EN14825; EN50564; EN12102; (EU) No 811/2013; (EU) No 813/2013; OJ 2014/C 207/02:2014.



HPAW

MONOBLOC HEAT PUMP



hajdu

with renewable energy!



HPAW



HAJDU Hajdúsági Ipari Zrt.

4243 Téglás, külterület 0135/9. hrsz.

phone: 06 (52) 582-700

email: hajdu@hajdurt.hu

web: www.hajdurt.hu

Pictures in this brochure are for illustration only.

hajdu

5*
YEAR
WARRANTY

***3-year full
5-year compressor warranty**
*For more information about
the products and warranty terms,
please visit www.hajdurt.hu

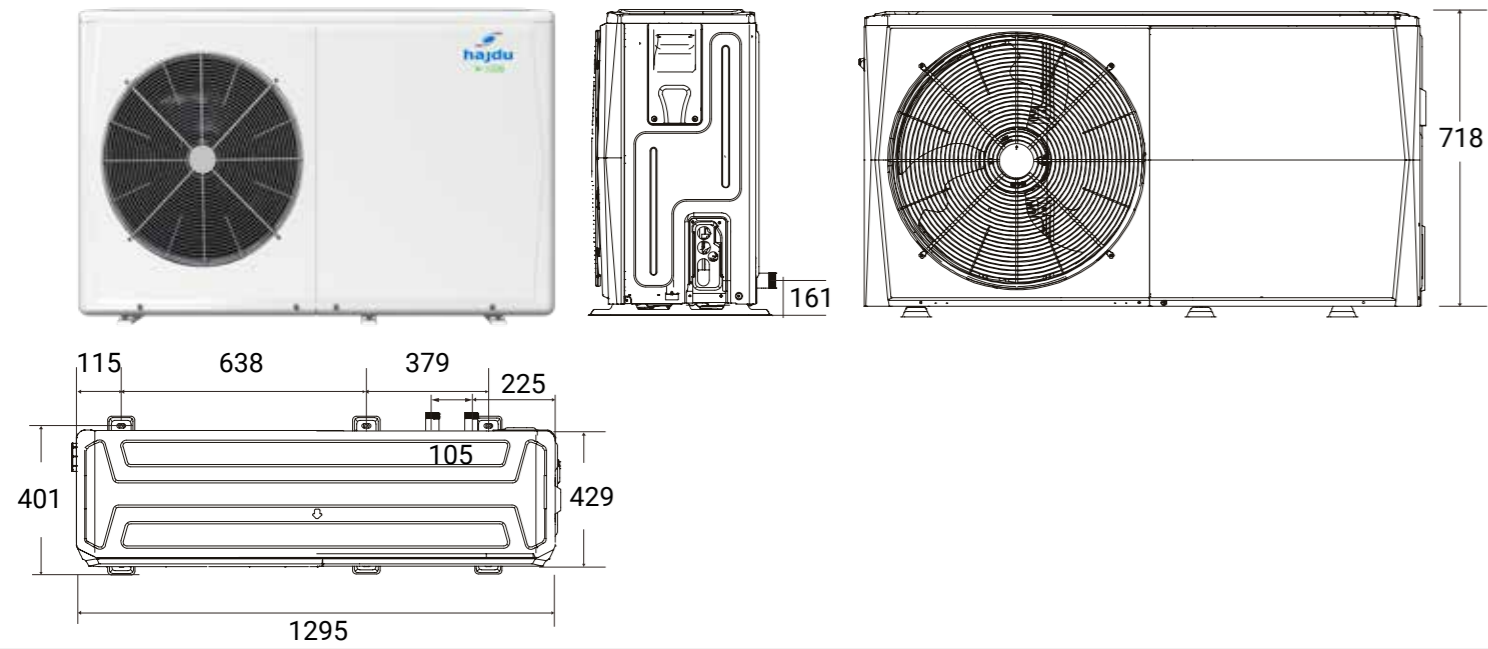
R32



HAJDU HPAW

monobloc heat pump

4/6 kW



R32 REFRIGERANT

- Higher heat transfer coefficient and better performance
- Lower charged weight required for the system
- Reduced costs
- Lower GWP (Global Warming Potential)

INVERTER TECHNOLOGY POWER CONTROL

- Each unit is equipped with a DC compressor, DC fan motor and DC pump allowing precise speed control for energy efficiency.

EXTREMELY SILENT

- Two-level silent mode
- As low as 53dB in silent mode
- High-capacity outdoor unit of a single fan compact design

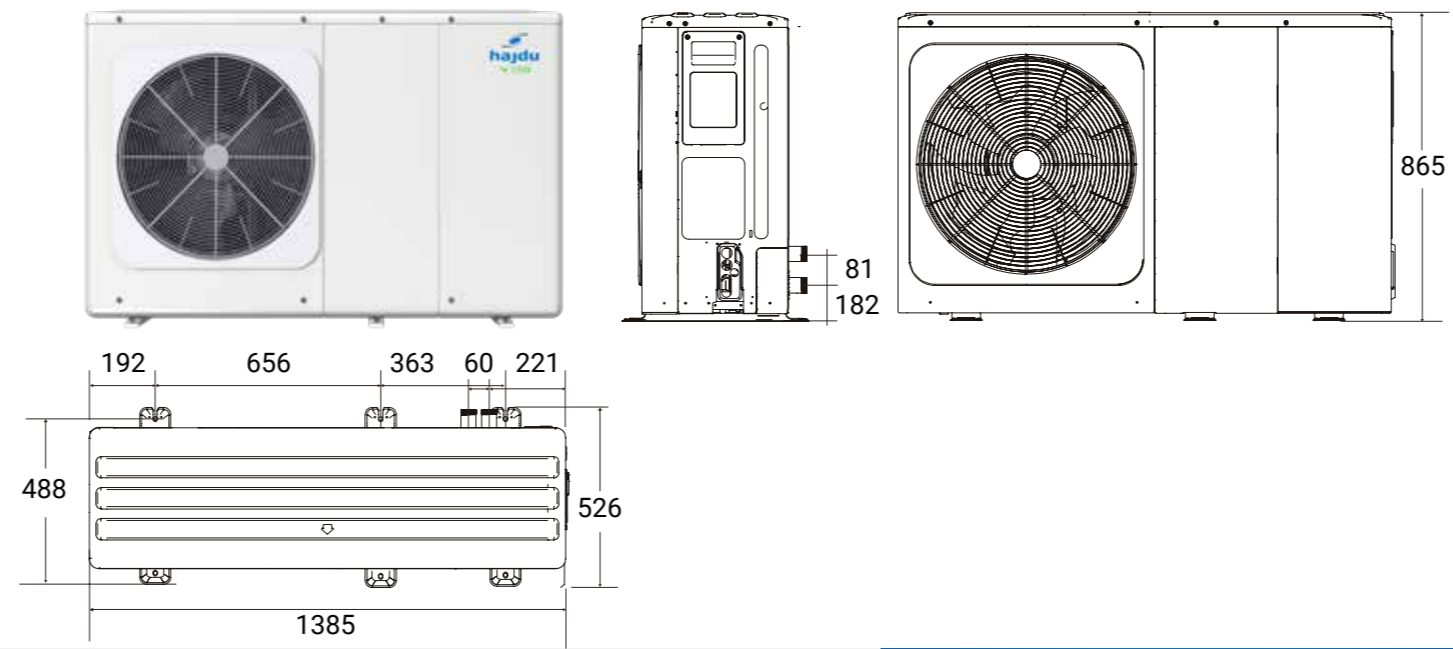
POWERFUL AND EFFICIENT HEATING

- No capacity reduction at -10°C or higher outside air temperatures
- Operating range to as low as -25°C
- Maximum leaving water temperature up to 65°C
- Single point maximum COP 5.20
- SCOP 5.21, Energy Efficiency Level: A +++

HAJDU HPAW

monobloc heat pump

8/10/12/14/16 kW



MULTIFUNCTION AND APP CONTROL

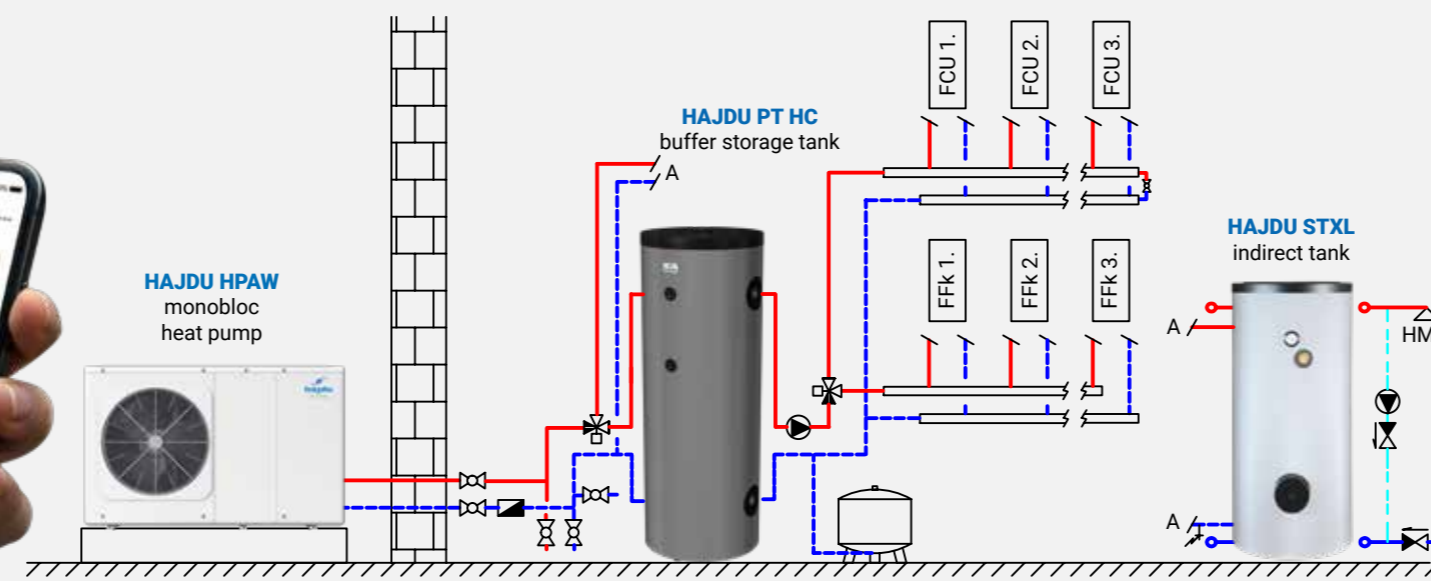
- Modbus protocol
- Max. 6 units controlled by one controller, automatic addressing available
- Holiday away & Holiday home functions
- Built-in wifi module supporting APP control

Through the APP, the user can:

- Check the operational status of the heat pump, the zone switch, the operating mode and the temperature.
- Set the switch, the operating mode and the temperature for each zone.
- Get energy consumption and energy saving suggestions.

- Circulation pump in the device
- SMART GRID Ready
- Weather dependent control
- Flow rate control
- Program update with a single key
- Circulation pump function
- Anti-legionella function
- 4 independent – Cool, Heat, DHW, Auto – and 3 mixed modes
- Quick DHW function
- Additional control:

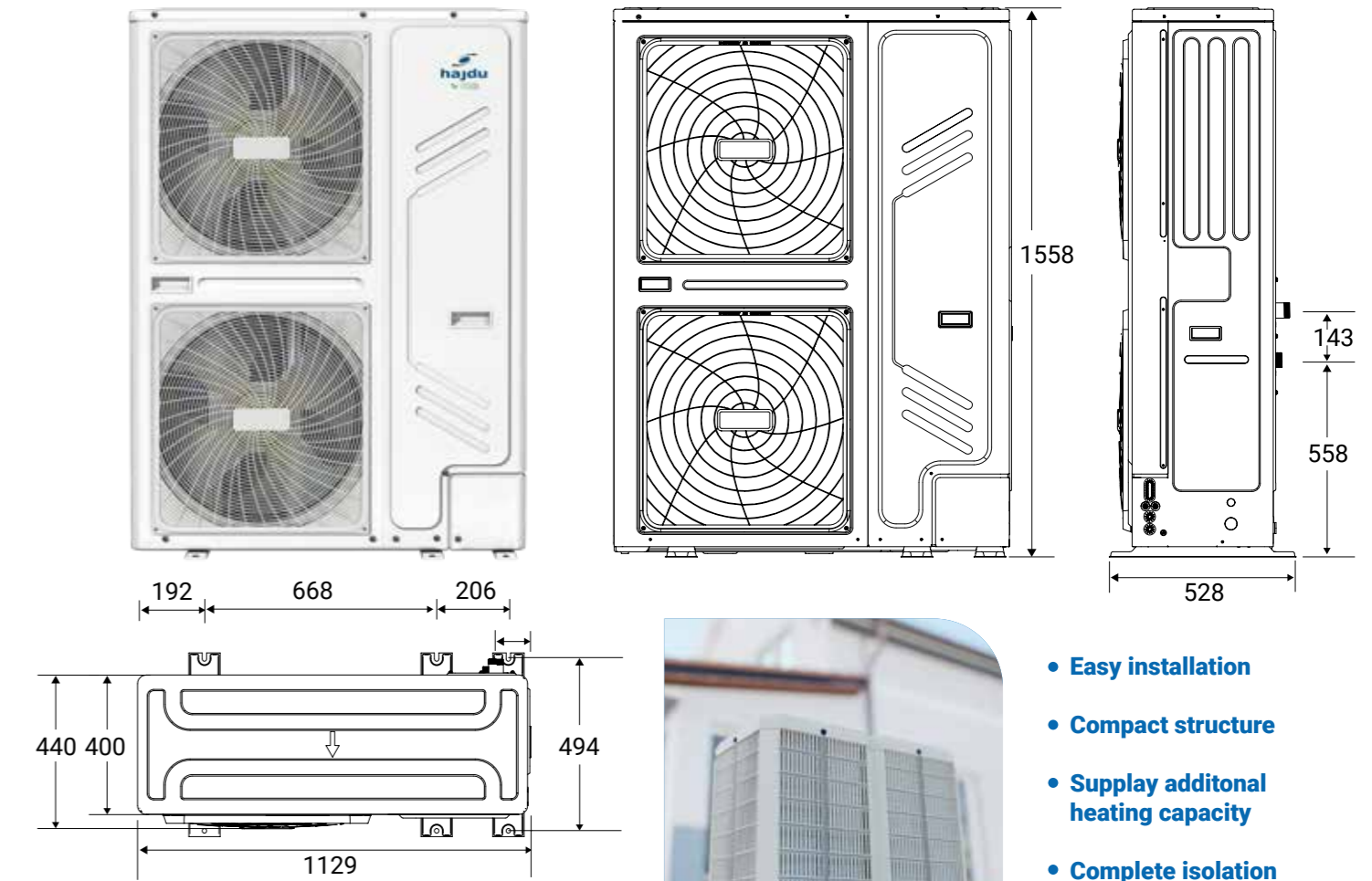
○ Remote control: ON/OFF, in-tank E-heater, AHS



HAJDU HPAW

monobloc heat pump

18/22/26/30 kW



- Easy installation
- Compact structure
- Supply additional heating capacity
- Complete isolation between water and electricity

OPTIONAL BACKUP HEATING AVAILABLE ON ORDER

Main parameters

Model	BH30B	BH90B/R
Capacity	3,0 kW	9,0 kW *
Nominal current input	13,0 A	3 x 13,3 A
Voltage source	220~240 VAC, 1 phase, 50 Hz	380~415 VAC, 3 phase, 50 Hz
Overall dimensions	780x220x280 mm	780x220x280 mm
Net weight	18,5 kg	19,0 kg
Outlet water temperature	< 70 °C	< 70 °C
Water inlet/outlet spout	G 5/4"	G 5/4"
Compatible heat pumps	HPAW 4/6/8/10, HPAW 12/14/16/18/22/26/30 3N	HPAW 8/10, HPAW 12/14/16/18/22/26/30 3N

* A power output of 3 kW can be achieved when operating from 1 phase and 6 kW when operating from 2 phases.

